

ශ්‍රී ලංකා විභාග දෙපාර්තමේන්තුව ශ්‍රී ලංකා විභාග දෙපාර්තමේන්තුව ශ්‍රී ලංකා විභාග දෙපාර්තමේන්තුව ශ්‍රී ලංකා විභාග දෙපාර්තමේන්තුව ශ්‍රී ලංකා විභාග දෙපාර්තමේන්තුව  
இலங்கைப் பரீட்சைத் திணைக்களம் இலங்கைப் பரීட்சைத் திணைக்களம் இலங்கைப் பரීட்சைத் திணைக்களம் இலங்கைப் பரීட்சைத் திணைக்களம் இலங்கைப் பரීட்சைத் திணைக்களம்  
Department of Examinations, Sri Lanka Department of Examinations, Sri Lanka Department of Examinations, Sri Lanka Department of Examinations, Sri Lanka Department of Examinations, Sri Lanka  
இலங்கைப் பரීட்சைத் திணைக்களம் இலங்கைப் பரීட்சைத் திணைக்களம் இலங்கைப் பரීட்சைத் திணைக்களம் இலங்கைப் பரīட்சைத் திணைக்களம் இலங்கைப் பரīட்சைத் திணைக்களம்  
Department of Examinations, Sri Lanka Department of Examinations, Sri Lanka Department of Examinations, Sri Lanka Department of Examinations, Sri Lanka Department of Examinations, Sri Lanka

80 E I, II

අධ්‍යයන පොදු සහතික පත්‍ර (සාමාන්‍ය පෙළ) විභාගය, 2019 දෙසැම්බර්  
கல்விப் பொதுத் தராதரப் பத்திர (சாதாரண தர)ப் பரீட்சை, 2019 டிசெம்பர்  
General Certificate of Education (Ord. Level) Examination, December 2019

තොරතුරු හා සන්නිවේදන තාක්ෂණය I, II  
தகவல், தொடர்புபடல் தொழினுட்பவியல் I, II  
Information & Communication Technology I, II

06.12.2019 / 0830 - 1140

පැය තුනයි  
மூன்று மணித்தியாலம்  
Three hours

අමතර කියවීමේ කාලය - මිනිත්තු 10 යි  
மேலதிக வாசிப்பு நேரம் - 10 நிமிடங்கள்  
Additional Reading Time - 10 minutes

Use **additional reading time** to go through the question paper, select the questions and decide on the questions that you give priority in answering.

### Information & Communication Technology I

**Note:**

- \* Answer *all* questions.
- \* In each of the questions 1 to 40, pick one of the alternatives (1), (2), (3), (4) which is *correct or most appropriate*.
- \* Mark a cross (X) on the number corresponding to your choice in the answer sheet provided.
- \* Further instructions are given on the back of the answer sheet. Follow them carefully.

1. Which of the following devices have both *input* and *output* capabilities?  
(1) joystick                      (2) OCR Device                      (3) touch screen                      (4) webcam
2. Which of the following can be a good practice to protect data and information from computer hard disk failures?  
(1) installing a firewall                      (2) installing an antivirus software  
(3) taking periodic backups                      (4) using a strong password
3. Which of the following is correct regarding the generations of computers?  
(1) Integrated Circuits (ICs) were introduced in 1<sup>st</sup> generation computers.  
(2) Vacuum tubes were introduced in 2<sup>nd</sup> generation computers.  
(3) Transistors were introduced in 3<sup>rd</sup> generation computers.  
(4) Very Large Scale Integrated Circuits (VLSI) were introduced in 4<sup>th</sup> generation computers.
4. Which of the following are related to G2C (Government to Citizen) services in Sri Lanka?  
A - viewing G.C.E. (O/L) results online  
B - ordering food items online  
C - renewing vehicle revenue licenses online  
(1) A only                      (2) A and C only                      (3) B and C only                      (4) all A, B and C
5. Which of the following is an example for *data processing*?  
(1) calculating the account balance using banking software after a cash withdrawal  
(2) copying a file from a USB drive to a hard disk of a computer  
(3) installing sound editing software in a personal computer  
(4) scanning a letter using a scanner

6. Select the most suitable computer type from a *super computer*, a *laptop computer* and a *tablet computer*, for the following applications:

A - to process very large amounts of data that are continuously obtained through satellites

B - for a writer to work on an essay during a vacation away from home

C - for a travelling sales representative to enter item requests while visiting shops

- (1) A: laptop computer,      B: super computer,      C: tablet computer  
(2) A: laptop computer,      B: tablet computer,      C: super computer  
(3) A: super computer,      B: laptop computer,      C: tablet computer  
(4) A: tablet computer,      B: super computer,      C: laptop computer

7. Consider the following statement with blanks labelled (A) and (B):

When processing, the CPU uses its .....(A)..... to temporarily store data that are brought from .....(B)..... .

Which of the following combinations is suitable to fill the blanks labelled (A) and (B) respectively?

- (1) primary memory, registers  
(2) registers, primary memory  
(3) secondary memory, primary memory  
(4) secondary memory, registers

8. Which of the following are correct regarding transmission media?

A - Unshielded Twisted Pair (UTP) cables are suitable to transmit data for long distances over 200 m.

B - Fiber optic cables transmit data faster than UTP cables.

C - Infrared data transmission is used in wireless keyboards to communicate with computers.

- (1) B only                      (2) C only                      (3) B and C only                      (4) all A, B and C

9. Which of the following statements are true?

A - Binary form is used to store data and instructions in computers.

B - 945 is a valid number both in the octal and hexadecimal number systems.

C -  $412_8$  is equivalent to  $100001010_2$ .

- (1) A only                      (2) B only                      (3) A and C only                      (4) all A, B and C

10. Which of the following shows the given storage components in descending order of *access speed*?

- (1) cache memory, main memory, register, hard disk  
(2) hard disk, cache memory, register, main memory  
(3) register, cache memory, main memory, hard disk  
(4) register, main memory, hard disk, cache memory

11. If character 'E' is represented in the ASCII table as  $69_{10}$ , what is the binary representation of character 'G' in the ASCII table?

- (1) 1000110                      (2) 1000111                      (3) 1001000                      (4) 1001001

12. Which of the following contains only the tasks of an operating system?

- (1) payroll management, process management, file management  
(2) process management, database management, file management  
(3) process management, memory management, database management  
(4) process management, memory management, file management

13. Which of the following techniques can be used to increase the free space of a hard disk without deleting any existing files?

- (1) compression of existing files on the hard disk  
(2) copying some files in the hard disk to a flash drive  
(3) formatting of the hard disk  
(4) partitioning of the hard disk



14. While editing a document using a word processing software, you decide to copy a selected part of the document to another document. Which of the following key combinations will enable you to carry out this task?

- (1) Ctrl + C followed by Ctrl + V                      (2) Ctrl + N followed by Ctrl + V  
 (3) Ctrl + P followed by Ctrl + V                      (4) Ctrl + V followed by Ctrl + C

15. Consider the range of cells given as (A3:C4) in a spreadsheet. Which of the following cells are included in this range?

- (1) A3 and C4 only    (2) A3, B3 and C3 only  
 (3) A3, A4, C3 and C4 only                                (4) A3, B3, C3, A4, B4 and C4 only

16. Consider the following spreadsheet segment with the formula =B2 \* B\$5 written into cell C2:

	A	B	C
1	Name	Sales (Rs)	Commission (Rs)
2	A. Dias	50000	5000
3	B. Sivarajah	60000	
4			
5	Percentage:	0.1	
6			

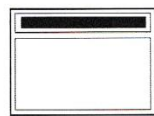
What would be displayed in the cell C3 if the formula in cell C2 was copied to cell C3?

- (1) 0    (2) 5000    (3) 6000    (4) 60000

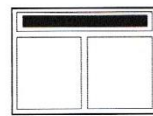
17. You want to add a blank slide to an electronic presentation that you are editing. Which of the following key combinations can be used for this purpose?

- (1) Ctrl+M    (2) Ctrl+N    (3) Shift+B    (4) Shift+V

18. Which of the following features of electronic presentation software can be used to change the content arrangement of a slide from *Arrangement 1* to *Arrangement 2*?



Arrangement 1



Arrangement 2

- (1) Slide layout                      (2) Slide show                      (3) Slide sorter                      (4) Slide view

19. Which of the following is **not** a common feature of both word processing and electronic presentation software?

- (1) changing line space    (2) find and replace  
 (3) mail merge    (4) spell checker

20. Which of the following is suitable in order to improve the quality of an electronic presentation?

- A - limiting the number of text lines on a slide to between 6 and 9  
 B - not having a large number of pictures and graphs on a single slide  
 C - using a lot of red colour on every slide

- (1) A and B only                      (2) A and C only                      (3) B and C only                      (4) all A, B and C

- Questions 21 to 24 are based on the following partly shown database tables that are used to store data about books, students, and books reserved by students in a school library.

**Table: Book** (Contains the details of books and whether each book is reserved or not.)

Book_ID	Title	Reserved
B0001	Effective Writing	TRUE
B0002	Classic Short Stories	TRUE
B0003	Poem Writing	FALSE
B0004	Vocal Theory	TRUE

**Table: Student** (Contains details of all students in school and whether each student is a library member or not.)

Student_Name	Student_ID	Grade	Library_Member
Piyal	1001	7	TRUE
Kumar	1002	9	TRUE
Ismail	1003	8	TRUE
Sunil	1004	10	FALSE
Sarath	1005	7	TRUE

**Table: Reservation** (Contains details about books reserved by students.)

Student_ID	Reserved_Date	Book_ID
1003	02/03/2019	B0002
1002	23/04/2019	B0001
1005	16/06/2019	B0004

- How many *fields* are in the *Student* table?  
 (1) 2                                      (2) 3                                      (3) 4                                      (4) 5
- What would be an example of a *foreign key* in the database?  
 (1) **Book\_ID** in *Reservation* table                      (2) **Grade** in *Student* table  
 (3) **Reserved\_Date** in *Reservation* table                      (4) **Title** in *Book* table
- What is the title of the book reserved by Kumar?  
 (1) Classic Short Stories                                      (2) Effective Writing  
 (3) Poem Writing    (4) Vocal Theory
- A student gets the library membership and reserves a book. What tables need to be updated for this purpose?  
 (1) *Book* table and *Reservation* table  
 (2) *Book* table and *Student* table  
 (3) *Reservation* table and *Student* table  
 (4) *Book* table, *Reservation* table and *Student* table
- Which of the following shows the correct order of testing a software system?  
 (1) acceptance testing, integration testing, unit testing, system testing  
 (2) system testing, integration testing, acceptance testing, unit testing  
 (3) unit testing, acceptance testing, system testing, integration testing  
 (4) unit testing, integration testing, system testing, acceptance testing
- Every web page on the World Wide Web (WWW) has a unique identifier called the  
 (1) *email address*.                      (2) *hyperlink*.                      (3) *IP address*.                      (4) *URL*.
- Which of the following combinations contains only Internet related protocols?  
 (1) FTP, HTML, HTTP, SMTP                                      (2) FTP, HTML, HTTP, TCP/IP  
 (3) FTP, HTTP, SMTP, TCP/IP                                      (4) HTML, SMTP, TCP/IP, URL

28. Which of the following combinations represents only the services of the Internet?

- (1) email, file sharing, remote access, streaming of media
- (2) email, file sharing, streaming of media, web browsers
- (3) file sharing, HTML codes, remote access, search engines
- (4) remote access, search engines, streaming of media, web browsers

29. Consider the following list rendered by a web browser:

- Science
- Maths
- English

Which of the following HTML tags are required to create the above list?

- (1) <dl>,<dt>
- (2) <dl>,<li>
- (3) <ol>,<li>
- (4) <ul>,<li>

30. Which of the following statements related to web page development are correct?

A - The content shown in dynamic web pages may vary according to user inputs or time.

B - Dynamic web pages are created only using HTML.

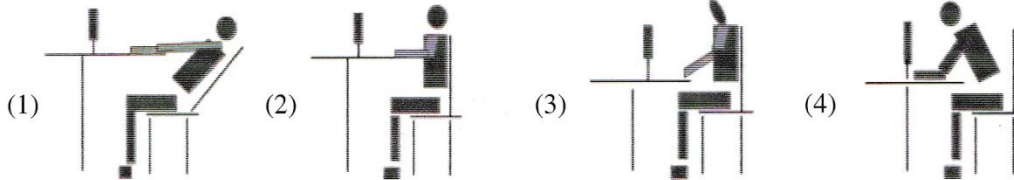
C - Web authoring tools can be used to create web pages.

- (1) A and B only
- (2) A and C only
- (3) B and C only
- (4) all A, B and C

31. Which of the following tags can be used for HTML character formatting?

- (1) <i>, <b>, <u>, <em>
- (2) <br>, <b>, <u>, <p>
- (3) <p>, <li>, <u>, <em>
- (4) <i>, <b>, <li>, <em>

32. Which of the following is the correct posture to use when using a computer?



33. How many bits per pixel (bpp) are required to represent 32 colours?

- (1) 4
- (2) 5
- (3) 6
- (4) 7

34. What would happen to an image if its *resolution* is **decreased**?

- (1) quality and the file size of the image increases
- (2) quality and the file size of the image decreases
- (3) quality increases while the file size of the image decreases
- (4) quality decreases while the file size of the image increases

35. Which of the following statements are true?

A - Pascal is an example of a high-level programming language.

B - High-level language programs are easier for the programmers to understand than low-level language programs.

C - A compiler translates a high-level language program into machine language instructions.

- (1) A and B only
- (2) A and C only
- (3) B and C only
- (4) all A, B and C

36. Consider the following pseudo-code segment:

```
BEGIN
  READ units
  IF units <= 50 THEN
    amount = units * 1
  ELSE
    IF units > 50 AND units <= 150 THEN
      amount = 50 + (units - 50) * 2
    ELSE
      amount = 250 + (units - 150) * 5
    ENDIF
  ENDIF
  DISPLAY amount
END
```

What would be the output if the value 175 is input for the variable *units*?

- (1) 175
- (2) 250
- (3) 300
- (4) 375



37. What would be the output if a user inputs the numbers 4, 5, 2, -1 one after the other for the following pseudo-code segment?

```
terminal=-1
x=0
REPEAT
  DISPLAY "Enter number"
  GET num
  IF num>x THEN
    x=num
  ENDIF
UNTIL num=terminal
DISPLAY x
```

- (1) -1                      (2) 0                      (3) 4                      (4) 5

38. Consider the following statements regarding *computer programs*:

A - *Variables* can contain different values at different times.

B - *Reserved words* of a programming language can be used as *variable names* in that language.

Which of the following is true with respect to the above?

- (1) Only A is correct.                      (2) Only B is correct.  
 (3) Both A and B are correct.                      (4) Both A and B are incorrect.

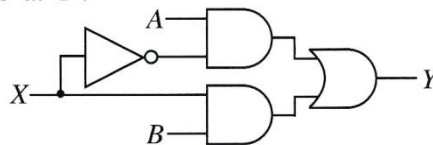
39. Consider the following pseudo-code:

```
READ a, b, c
value = 0
IF (a>b) THEN
  IF (a>c) THEN
    value = a
  ELSE
    value = c
  ENDIF
ENDIF
DISPLAY value
```

If the values input for the variables *a*, *b* and *c* are 50, 30 and 70 respectively, what would be the displayed output?

- (1) 0                      (2) 30                      (3) 50                      (4) 70

40. If 0 and 1 respectively are given as inputs for *X* in the following logic circuit, what would be the two respective outputs at *Y*?



- (1)  $A, \bar{B}$                       (2)  $A, B$                       (3)  $B, \bar{A}$                       (4)  $B, A$

\*\*

ශ්‍රී ලංකා විභාග දෙපාර්තමේන්තුව ශ්‍රී ලංකා විභාග දෙපාර්තමේන්තුව ශ්‍රී ලංකා විභාග දෙපාර්තමේන්තුව ශ්‍රී ලංකා විභාග දෙපාර්තමේන්තුව ශ්‍රී ලංකා විභාග දෙපාර්තමේන්තුව  
 இலங்கைப் பரீட்சைத் திணைக்களம் இலங்கைப் பரීட்சைத் திணைக்களம் இலங்கைப் பரීட்சைத் திணைக்களம் இலங்கைப் பரීட்சைத் திணைக்களம் இலங்கைப் பரීட்சைத் திணைக்களம்  
 Department of Examinations, Sri Lanka Department of Examinations, Sri Lanka Department of Examinations, Sri Lanka Department of Examinations, Sri Lanka Department of Examinations, Sri Lanka  
 இலங்கைப் பரීட்சைத் திணைக்களம் இலங்கைப் பரීட்சைத் திணைக்களம் இலங்கைப் பரීட்சைத் திணைக்களம் இலங்கைப் பரīட்சைத் திணைக்களம் இலங்கைப் பரīட்சைத் திணைக்களம்  
 Department of Examinations, Sri Lanka Department of Examinations, Sri Lanka Department of Examinations, Sri Lanka Department of Examinations, Sri Lanka Department of Examinations, Sri Lanka

**80 E I, II**

**අධ්‍යයන පොදු සහතික පත්‍ර (සාමාන්‍ය පෙළ) විභාගය, 2019 දෙසැම්බර් කල්විප් பொதுத் தராதரப் பத்திர (சாதாரண தர)ப் பரீட்சை, 2019 டிசெம்பர் General Certificate of Education (Ord. Level) Examination, December 2019**

තොරතුරු හා සන්නිවේදන තාක්ෂණය **I, II**  
 தகவல் தொடர்பாடல் தொழினுட்பவியல் **I, II**  
**Information & Communication Technology I, II**

**Information & Communication Technology II**

\* Answer five (05) questions only, including the first question and four others.  
 \* First question carries 20 marks and each of the other questions carries 10 marks.

1. (i) The Colombo Weather Centre records daily rainfall values for one month.  
 Write down **two** examples for *information* that can be found by *processing* the above mentioned daily rainfall *data*.

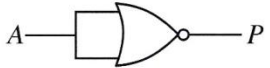
(ii) Consider the following diagram with images of some computer ports labelled (A) – (E).

<b>Image of the port</b>					
<b>Label</b>	(A)	(B)	(C)	(D)	(E)

Identify the name of each port using the list given below. Write down the label of each port and its matching port name.

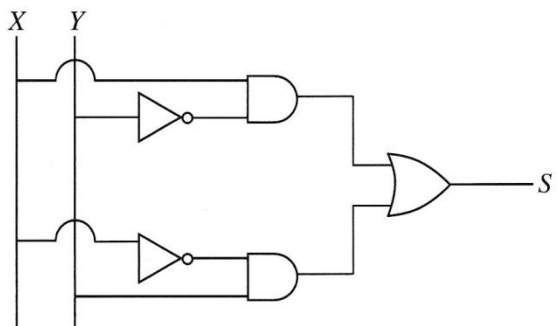
**List :** {Audio, HDMI, RJ45, USB, VGA}

- (iii) (a) Convert  $1260_{10}$  to its octal equivalent.
- (b) Convert  $A1_{16}$  to its binary equivalent.
- (iv) (a) Consider the following logic gate.



Draw the truth table (having two columns as A and P) for the above gate.

(b) Consider the following logic circuit.



Write down the relevant boolean expression for S.

2. (i) Some information technology related risks (labelled (A)–(D)) are given below.

- (A) losing user files and folders due to a hard disk failure
- (B) computer behaving abnormally after the use of a flash drive
- (C) data in a computer connected to the Internet accessed remotely without authorization
- (D) frequent power supply interruptions to a personal computer

Identify suitable solutions for the above risks from the labelled list (P–U) given below. Write down the risk label and the matching solution label.

List : { (P) - getting regular backups, (Q) - installing CCTV, (R) - installing firewalls,  
(S) - use of surge protectors, (T) - use of UPS, (U) - use of anti-virus software }

(ii) The 3R (**R**educe, **R**euse and **R**ecycle) technique is well accepted for waste reduction. Explain this technique with respect to reducing e-waste.

(iii) Write answers for the following:

- (a) Write one way in which a person can protect a spreadsheet on his computer from unauthorized access. (Assume that the computer is not connected to the Internet.)
- (b) A person cannot afford to buy commercial spreadsheet software for his computer. He has to use spreadsheet software often and he does not like the expense and the inconvenience of going to an ICT center each time for it. Suggest one thing that he could do fulfill his spreadsheet requirements.
- (c) To facilitate student learning, a school principal wants to start a Learning Management System (LMS) in her school using an unused, new computer. Write down one benefit that students can obtain through this LMS.
- (d) Explain how a student can include in his essay without plagiarizing, a part of the content of a website.
- (e) A manager in a Colombo office wants to have a meeting with managers in Jaffna and Matara offices using a video conference. Write down the requirements that are needed in these locations in order to use this facility.

(iv) An office wants to create a computer network using a *hub*, three computers (named *server*, *computer A*, *computer B*) and a *printer* using a *star topology*.

Using named boxes for the devices (e.g., hub), draw a diagram to illustrate the above topology for the office.



3. Following are the partly shown tables of the relational database of a sports team management system in a school.

PlayerID	FirstName	LastName	StudentID
P1001	Saman	Perera	S1538
P1002	Raj	Selvam	S1201
P1003	Sharaf	Nazwar	S2735
P1004	Saman	Silva	S1465
P1005	Shane	Almaida	S2905
P1006	Nimal	Fernando	S1350
:			
:			

**Table: Player** (Includes the descriptions of players)

TeamID	PlayerID	YearJoined
T1	P1002	2013
T1	P1004	2014
T2	P1003	2015
T2	P1005	2015
T3	P1001	2014
T3	P1006	2013
:		
:		

**Table: Player\_Team**

(Contains the players of each team and their years of joining)

TeamID	TeamName	AgeGroup	CaptainID
T1	Cricket	U19	P1002
T2	Cricket	U17	P1003
T3	Volleyball	U19	P1002
T4	Volleyball	U17	P1004
:			
:			

**Table: Team**

(Contains the names and age categories of teams and their captains)

(Note: **CaptainID** is a valid **PlayerID**)

- (i) (a) Write down the *primary key* of the **Team** table.
- (b) Write down the possible primary keys available in the **Player** table.
- (ii) Which table(s) need(s) to be updated to accommodate the following changes?
  - (a) A new student, *Piyal Alwis* (**StudentID**: S4205), is admitted to the school and joins the *U17 Cricket* team in 2019.
  - (b) *Nimal Fernando* is appointed the captain of the *U19 Volleyball* team.
- (iii) (a) Write down the new record(s) to be added to the relevant table(s) for the change mentioned in part (ii) (a). Use the format: *tablename* → (*field1*, *field2*, ...) for each record.  
(Note: Assume that *Piyal Alwis* is assigned the **PlayerID** P1120)
- (b) In 2019, the school starts an Under 17 (*U17*) *Football* team (**TeamID**: T7) and appoints *Shane Almaida* as the captain. Write down the new record(s) to be added to the relevant table(s) for the above change. Use the format: *tablename* → (*field1*, *field2*, ...) for each record.  
(Note that *Shane Almaida* is currently playing in the *U17 Cricket* team.)
- (iv) Which tables are to be joined to write a query to find the name of the *U19 Cricket* captain?

4. (i) Consider the following statements with blanks labelled (A)–(F). Identify the most suitable term to fill each blank from the list given below. Write down the statement label and the matching term.

- (A) - ..... determines the correspondence between domain names and IP addresses on the Internet.
- (B) - ..... is used to transfer large files from one computer to another over the Internet.
- (C) - ..... is one of the most important protocols for email transport between email servers.
- (D) - ..... is the top level domain of the domain name *www.nie.lk*.
- (E) - ..... could be used to find out web pages whose URLs are not known.
- (F) - ..... separates the user name and domain name of an email address.

**List :** {# symbol, @ symbol, DNS service, FTP, HTTP, ICMP, IP address, IP service, lk, nie.lk, Search engines, SMTP, URL}


(ii) Choosing from the examples given in the list, write down the correct example for each of the labelled items (A) to (D) given below. You are only required to write the label and the corresponding example.

- (A) - web browser
- (B) - programming language for dynamic web content creation
- (C) - web authoring tool
- (D) - content management system

**List :** {Joomla, Kompozer, Mozilla Firefox, Pascal, PHP}

(iii) The HTML source of the web page shown in **Figure 1** is given in **Figure 2** with certain missing tags labelled (1) to (10).

### Dengue fever: What is it and how to stop it?



**STOP DENGUE**  
Stop Dengue!

Dengue fever is a mosquito borne viral infection that causes a flu-like illness.

It can worsen into severe dengue and become deadly if not treated well.

Currently about one-third of the world's population is at risk of contracting dengue fever.

Dengue fever signs, symptoms	Five prevention tips
<ul style="list-style-type: none"> <li>• High fever</li> <li>• Swollen lymph glands</li> <li>• Muscle, joint and abdominal pains</li> <li>• Nose bleeding</li> <li>• Excessive vomiting</li> </ul>	<ol style="list-style-type: none"> <li>1. Eliminate standing water</li> <li>2. Use good mosquito repellent</li> <li>3. Clean and monitor gradens well</li> <li>4. Wear protective clothing</li> <li>5. Use Guppi fish in ponds</li> </ol>

**For more information: Dengue prevention**

**Figure 1: The web page**

5. Consider the following spreadsheet segment which consists of marks obtained by 40 students in a class for their three subjects at a school term test. Students' marks for Subject 1, Subject 2 and Subject 3 are shown in columns C, D and E respectively. This spreadsheet is used to compute the Z-score for each subject of each student and the final Z-score for each student.

	A	B	C	D	E	F	G	H	I
1	Index	Student	Marks			Z-Score			Final
2	No.	Name	Subject 1	Subject 2	Subject 3	Subject 1	Subject 2	Subject 3	Z-score
3	1	Kamal	27	34	43	-1.1081	-1.0146	-0.4915	-0.8714
4	2	Raju	45	50	62	0.0382	0.0879	0.8284	0.3182
5	3	Rauf	34	40	60	-0.6623	-0.6012	0.6895	-0.1913
6	4	Krishna	66	70	70	1.3756	1.4660	1.3842	1.4086

....

41	39	Roshan	84	73	85	2.3565	1.6417	2.1601	2.0528
42	40	Khan	40	60	50	-0.2936	0.7580	-0.0767	0.1292
43	Average marks of the subject		44.8750	44.8500	51.2000				
44	SD value of the subject		16.6027	14.7101	15.6471		Highest Z-score		2.0528
45									
46									

- (i) Write down the formula that should be entered in cell C43 to calculate the average mark for Subject 1 in the form of  $=function1(cell1:cell2)$
- (ii) If this formula is copied to cells D43 and E43, write down the formula that will appear in cell D43.
- (iii) The Z-score for a subject of a student can be calculated by using the following formula:  

$$Z\text{-score} = (\text{student's marks for the subject} - \text{average marks for the subject}) / \text{SD value of the subject}$$

The SD values required for each subject are given in cells C44, D44 and E44 respectively.

  - (a) Write down the formula that should be entered to cell F3 to calculate Kamal's Z-score for Subject 1.  
**Note that this formula is to be copied to calculate the Z-scores for Subject 1 of all other students too.**
  - (b) If this formula is copied to cell range F4 to F42, write down the formula that will appear in cell F42 which shows Khan's Z-score for Subject 1.
- (iv) The final Z-score of a student is the average of the three Z-scores for the subjects. Write down the formula to calculate the final Z-score value of Kamal in cell I3 using **only** the functions **COUNT** and **SUM**.
- (v) Assuming that student Z-score values for the three subjects and the final Z-score for all students have been calculated, write down a formula that should be entered in cell I44 to find the highest final Z-score value in the form of  $=function2(cell3:cell4)$ .



6. (i) Following table shows five stages of the systems development life cycle (SDLC) with an activity for each stage.

Stage of SDLC	Activity
Identification of requirements	Ⓐ
Ⓑ	Designing interfaces
Ⓒ	Writing the computer programs
Testing and debugging	Ⓓ
Ⓔ	Adding new features to the system

Identify the suitable choice for each of the labels Ⓐ–Ⓔ from the labelled list (⒠–⒴) given below. Write down each label in the table and its matching choice label.

**List :** {⒠ - Coding the solution, ⒡ - Designing the solution, ⒢ - Integration testing, ⒣ - Interviewing, ⒤ - Maintenance of the system}

- (ii) The book shop in your school operates with a computer-based information system. When a student goes to buy stationery, the clerk enters the item code and the quantity of each item the student wants to buy. The system then calculates the total cost for each item and the total bill value. Then the system displays the final bill on the screen and prints it.

Using the above scenario answer the following questions.

- Write down one *input*.
- Write down one *process*.
- Write down one *output*.

- (iii) Identify the correct term from the given labelled list (⒠–⒴) for each of the following scenarios labelled Ⓐ–Ⓓ. Write down the scenario label and the matching term label.

- Sunil is developing a library management system and told the teacher that she will not be able to use any part of the system until the entire system is fully developed.
- After completion of a small information system for the school canteen, Azma decided to stop the existing system and operate the new system.
- After monitoring the new student information system initially introduced to Grade 6 classes, the Principal plans to introduce the system to the other classes of the school.
- The initial system was developed with two input screens and one report. Based on the user feedback two more input screens and reports were added to the system. More features are to be added based on further user feedback.

**List :** {⒠ - direct deployment, ⒡ - iterative software development, ⒢ - phased deployment, ⒣ - pilot deployment, ⒤ - waterfall model}

- (iv) List **two** benefits of a computer-based information system over a manual information system.

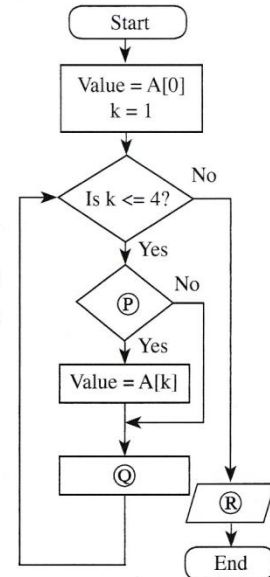
7. (i) Consider the following array **A** containing five integer values.

A[0]	A[1]	A[2]	A[3]	A[4]
80	100	70	65	95

(a) Write the output of the following pseudo-code when it is executed on the above array **A**.

```

BEGIN
  Value = A[0]
  k = 1
  WHILE (k <= 4)
    IF A[k] < Value THEN
      Value = A[k]
    ENDIF
    k = k + 1
  ENDWHILE
  DISPLAY Value
END
  
```



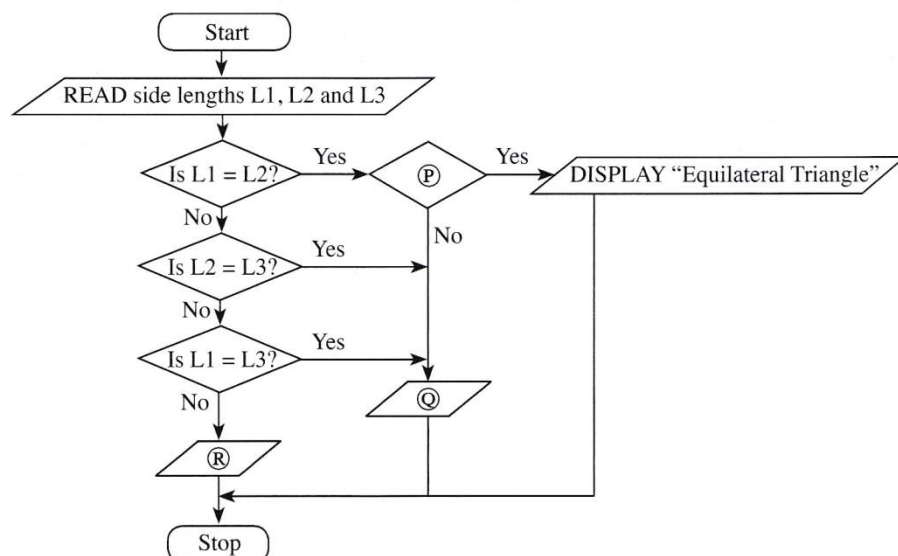
(b) Identify and write down the correct statements for **P**, **Q** and **R** in the flowchart on the right which is drawn using the above pseudo-code.

(c) Redraw the array **A** and its contents after the following assignments are carried out on the array **A**.

A[1] = 45  
 A[2] = 88  
 A[4] = 72

(ii) A triangle with all three sides of equal length is called an **equilateral** triangle. A triangle with two sides of equal length is called an **isosceles** triangle. A triangle with all sides of different lengths is called a **scalene** triangle.

The following flowchart with labels **P**, **Q**, **R** determines if a given triangle is an equilateral, isosceles or a scalene triangle.



Write down the relevant statements for the labels **P**, **Q** and **R**.